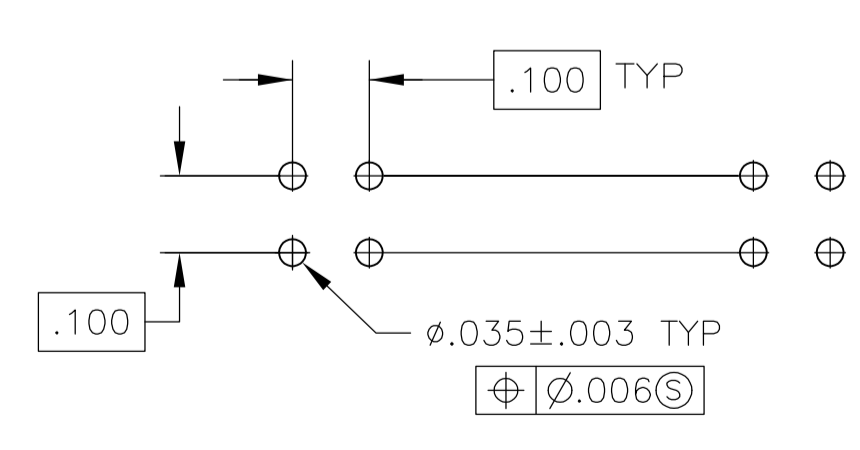
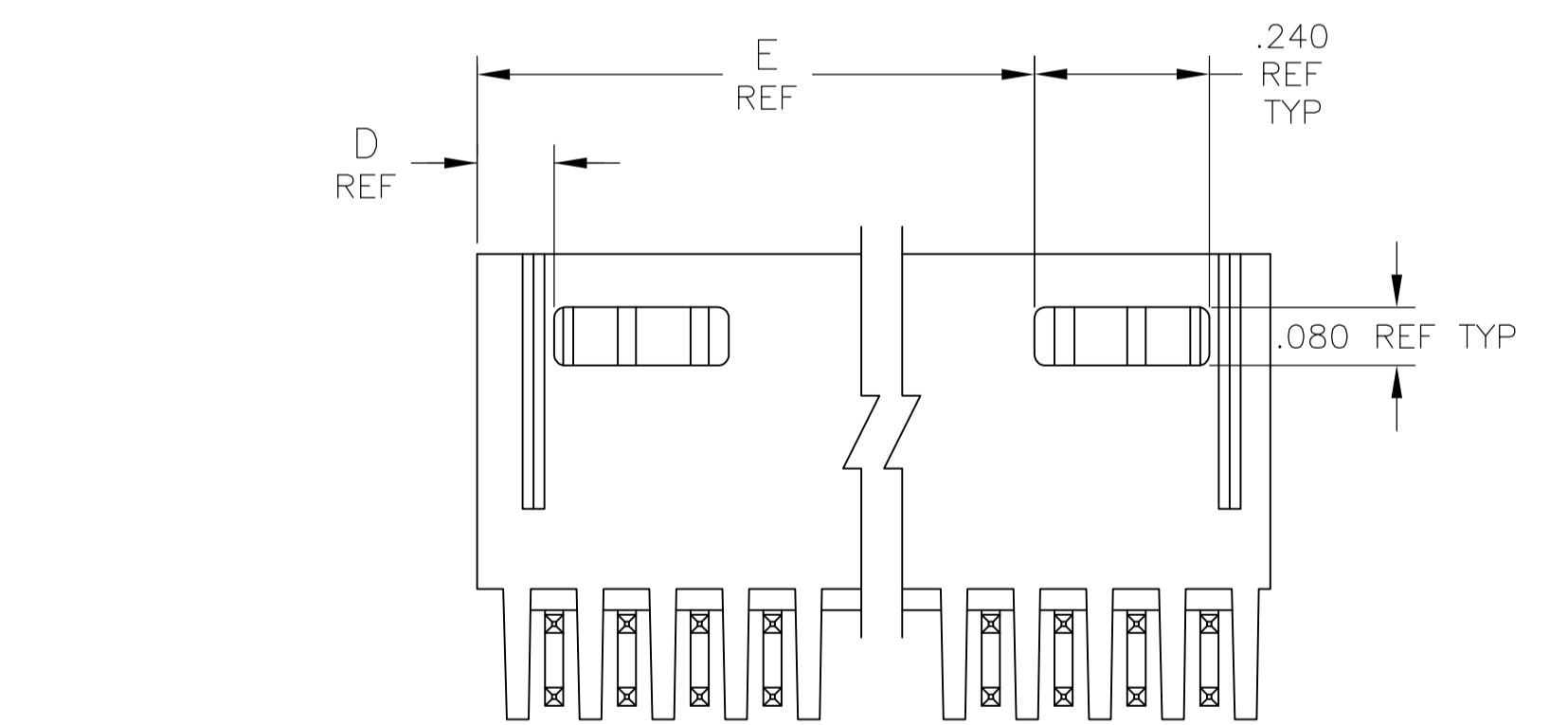
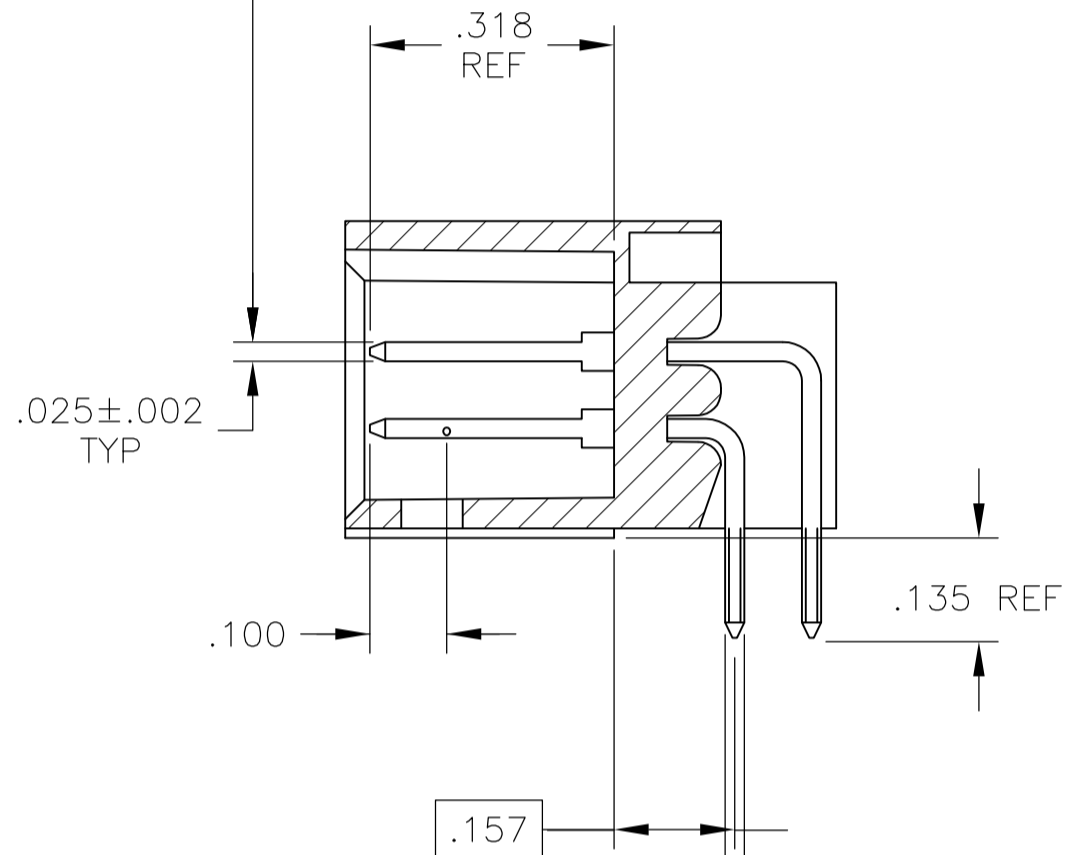
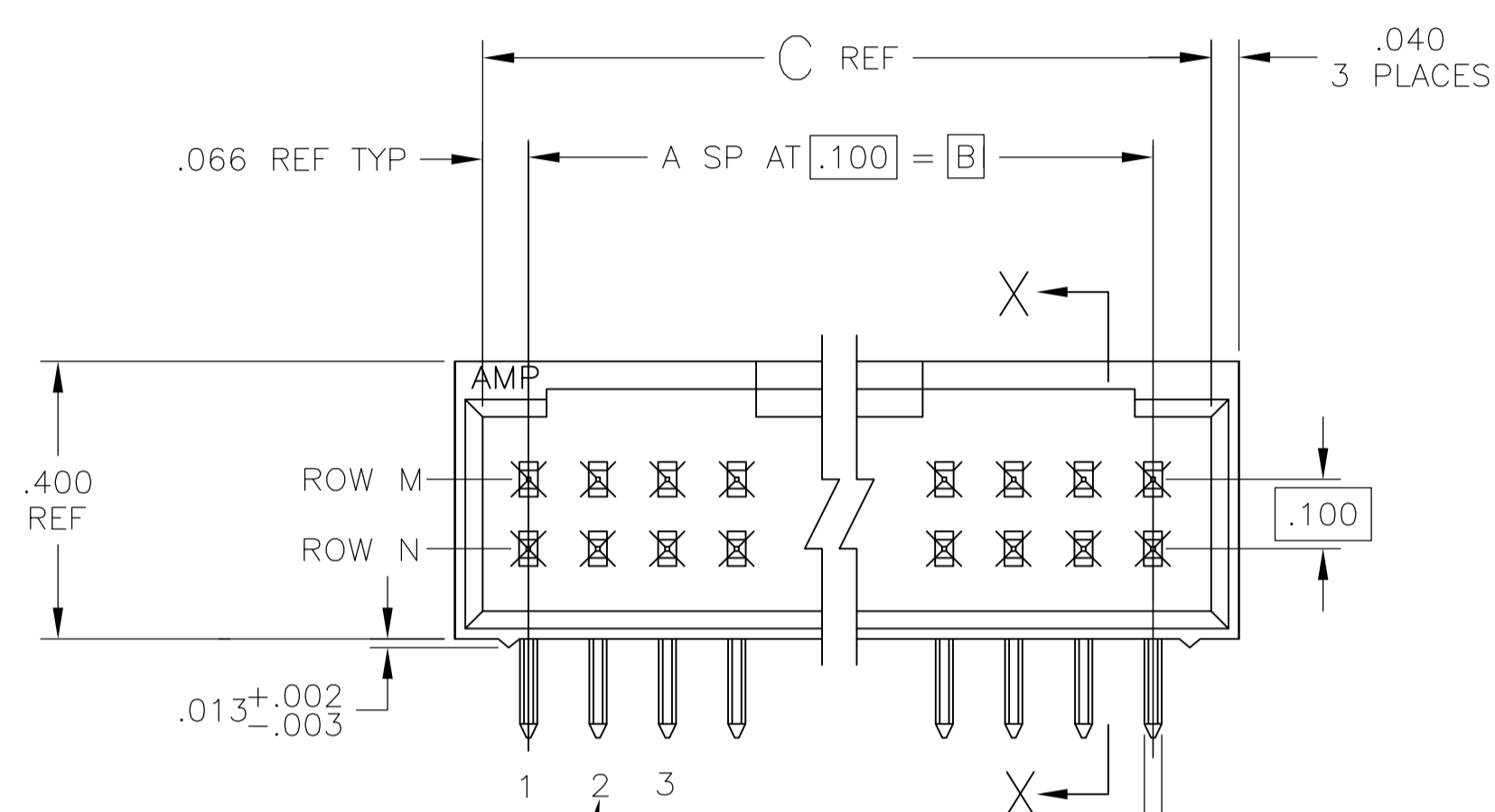


1. STAND-OFFS:  
 6 THRU 18 POSN (2) REQD LOCATED AS SHOWN OUTBOARD OF END CIRCUITS.  
 20 THRU 38 POSN (3) REQD LOCATED OUTBOARD OF END CIRCUITS PLUS (1) CENTERED.  
 40 THRU 74 POSN (4) REQD LOCATED OUTBOARD OF END CIRCUITS WITH (2) EVENLY SPACED WITHIN THE REMAINING LENGTH.

- 2 ACCESS SLOT
- 3 .000100-.000200 BRIGHT TIN-LEAD OVER .000050 NICKEL.
- 4 .000100-.000200 BRIGHT TIN OVER .000050 NICKEL.
- 5 PRELIMINARY PART
- 6 .000100-.000200 MATTE TIN OVER .000050 NICKEL
- 7 OBSOLETE PARTS: OBSOLETE CIS STREAMLINING PER D.RENAUD/D.SINISI



RECOMMENDED HOLE LAYOUT

| FINISH | E     | D    | C     | B     | A  | NO. OF POSN | PART NO.  |
|--------|-------|------|-------|-------|----|-------------|-----------|
| 7      | -     | .106 | .332  | .200  | 2  | 6           | 8-87579-5 |
| 6      | 3.506 | .106 | 3.732 | 3.600 | 36 | 74          | 8-87579-4 |
| 6      | 3.406 | .106 | 3.632 | 3.500 | 35 | 72          | 8-87579-3 |
| 6      | 3.306 | .106 | 3.532 | 3.400 | 34 | 70          | 8-87579-2 |
| 6      | 3.206 | .106 | 3.432 | 3.300 | 33 | 68          | 8-87579-1 |
| 6      | 3.106 | .106 | 3.332 | 3.200 | 32 | 66          | 8-87579-0 |
| 6      | 3.006 | .106 | 3.232 | 3.100 | 31 | 64          | 7-87579-9 |
| 6      | 2.906 | .106 | 3.132 | 3.000 | 30 | 62          | 7-87579-8 |
| 6      | 2.806 | .106 | 3.032 | 2.900 | 29 | 60          | 7-87579-7 |
| 6      | 2.706 | .106 | 2.932 | 2.800 | 28 | 58          | 7-87579-6 |
| 6      | 2.606 | .106 | 2.832 | 2.700 | 27 | 56          | 7-87579-5 |
| 6      | 2.506 | .106 | 2.732 | 2.600 | 26 | 54          | 7-87579-4 |
| 6      | 2.406 | .106 | 2.632 | 2.500 | 25 | 52          | 7-87579-3 |
| 6      | 2.306 | .106 | 2.532 | 2.400 | 24 | 50          | 7-87579-2 |
| 6      | 2.206 | .106 | 2.432 | 2.300 | 23 | 48          | 7-87579-1 |
| 7      | 2.106 | .106 | 2.332 | 2.200 | 22 | 46          | 7-87579-0 |
| 6      | 2.006 | .106 | 2.232 | 2.100 | 21 | 44          | 6-87579-9 |
| 6      | 1.906 | .106 | 2.132 | 2.000 | 20 | 42          | 6-87579-8 |
| 6      | 1.806 | .106 | 2.032 | 1.900 | 19 | 40          | 6-87579-7 |
| 7      | 1.706 | .106 | 1.932 | 1.800 | 18 | 38          | 6-87579-6 |
| 6      | 1.606 | .106 | 1.832 | 1.700 | 17 | 36          | 6-87579-5 |
| 6      | 1.506 | .106 | 1.732 | 1.600 | 16 | 34          | 6-87579-4 |
| 6      | 1.406 | .106 | 1.632 | 1.500 | 15 | 32          | 6-87579-3 |
| 6      | 1.306 | .106 | 1.532 | 1.400 | 14 | 30          | 6-87579-2 |
| 7      | 1.206 | .106 | 1.432 | 1.300 | 13 | 28          | 6-87579-1 |
| 6      | 1.106 | .106 | 1.332 | 1.200 | 12 | 26          | 6-87579-0 |
| 6      | 1.006 | .106 | 1.232 | 1.100 | 11 | 24          | 5-87579-9 |
| 6      | .906  | .106 | 1.132 | 1.000 | 10 | 22          | 5-87579-8 |
| 6      | .806  | .106 | 1.032 | .900  | 9  | 20          | 5-87579-7 |
| 6      | -     | .406 | .932  | .800  | 8  | 18          | 5-87579-6 |
| 6      | -     | .306 | .832  | .700  | 7  | 16          | 5-87579-5 |
| 6      | -     | .306 | .732  | .600  | 6  | 14          | 5-87579-4 |
| 6      | -     | .206 | .632  | .500  | 5  | 12          | 5-87579-3 |
| 6      | -     | .206 | .532  | .400  | 4  | 10          | 5-87579-2 |
| 6      | -     | .106 | .432  | .300  | 3  | 8           | 5-87579-1 |
| 5      | 2.806 | .106 | 3.032 | 2.900 | 29 | 60          | 3-87579-9 |
| 5      | 1.206 | .106 | 1.432 | 1.300 | 13 | 28          | 3-87579-8 |
| 5      | -     | .306 | .832  | .700  | 7  | 16          | 3-87579-7 |
| 7      | -     | .208 | .632  | .500  | 5  | 12          | 3-87579-6 |
| 5      | -     | .106 | .332  | .200  | 2  | 6           | 3-87579-5 |
| 7      | 3.506 | .106 | 3.732 | 3.600 | 36 | 74          | 3-87579-4 |
| 7      | 3.406 | .106 | 3.632 | 3.500 | 35 | 72          | 3-87579-3 |
| 7      | 3.306 | .106 | 3.532 | 3.400 | 34 | 70          | 3-87579-2 |
| 7      | 3.206 | .106 | 3.432 | 3.300 | 33 | 68          | 3-87579-1 |
| 7      | 3.106 | .106 | 3.332 | 3.200 | 32 | 66          | 3-87579-0 |
| 7      | 3.006 | .106 | 3.232 | 3.100 | 31 | 64          | 2-87579-9 |
| 7      | 2.906 | .106 | 3.132 | 3.000 | 30 | 62          | 2-87579-8 |
| 7      | 2.806 | .106 | 3.032 | 2.900 | 29 | 60          | 2-87579-7 |
| 7      | 2.706 | .106 | 2.932 | 2.800 | 28 | 58          | 2-87579-6 |
| 7      | 2.606 | .106 | 2.832 | 2.700 | 27 | 56          | 2-87579-5 |
| 7      | 2.506 | .106 | 2.732 | 2.600 | 26 | 54          | 2-87579-4 |
| 7      | 2.406 | .106 | 2.632 | 2.500 | 25 | 52          | 2-87579-3 |
| 7      | 2.306 | .106 | 2.532 | 2.400 | 24 | 50          | 2-87579-2 |
| 7      | 2.206 | .106 | 2.432 | 2.300 | 23 | 48          | 2-87579-1 |
| 7      | 2.106 | .106 | 2.332 | 2.200 | 22 | 46          | 2-87579-0 |
| 7      | 2.006 | .106 | 2.232 | 2.100 | 21 | 44          | 1-87579-9 |
| 7      | 1.906 | .106 | 2.132 | 2.000 | 20 | 42          | 1-87579-8 |
| 7      | 1.806 | .106 | 2.032 | 1.900 | 19 | 40          | 1-87579-7 |
| 7      | 1.706 | .106 | 1.932 | 1.800 | 18 | 38          | 1-87579-6 |
| 7      | 1.606 | .106 | 1.832 | 1.700 | 17 | 36          | 1-87579-5 |
| 7      | 1.506 | .106 | 1.732 | 1.600 | 16 | 34          | 1-87579-4 |
| 7      | 1.406 | .106 | 1.632 | 1.500 | 15 | 32          | 1-87579-3 |
| 7      | 1.306 | .106 | 1.532 | 1.400 | 14 | 30          | 1-87579-2 |
| 7      | 1.206 | .106 | 1.432 | 1.300 | 13 | 28          | 1-87579-1 |
| 7      | 1.106 | .106 | 1.332 | 1.200 | 12 | 26          | 1-87579-0 |
| 7      | 1.006 | .106 | 1.232 | 1.100 | 11 | 24          | 87579-9   |
| 7      | .906  | .106 | 1.132 | 1.000 | 10 | 22          | 87579-8   |
| 7      | .806  | .106 | 1.032 | .900  | 9  | 20          | 87579-7   |
| 7      | -     | .406 | .932  | .800  | 8  | 18          | 87579-6   |
| 7      | -     | .306 | .832  | .700  | 7  | 16          | 87579-5   |
| 7      | -     | .306 | .732  | .600  | 6  | 14          | 87579-4   |
| 7      | -     | .206 | .632  | .500  | 5  | 12          | 87579-3   |
| 7      | -     | .206 | .532  | .400  | 4  | 10          | 87579-2   |
| 7      | -     | .106 | .432  | .300  | 3  | 8           | 87579-1   |

THIS DRAWING IS A CONTROLLED DOCUMENT.

|   |  |                          |   |
|---|--|--------------------------|---|
| DIMENSIONS: INCHES  | TOLERANCES UNLESS OTHERWISE SPECIFIED: | DIN S.A. SHUEY 11-10-89  |   |
| 0 PLC ± -   | 1 PLC ± -                              | 25-10-89                 |   |
| 2 PLC ± -   | 3 PLC ± .005                           | APVD R. FLICKER 25-10-89 | TE Connectivity   |
| 4 PLC ± -   | ANGLES ± -                             | NAME R. FLICKER          | HDR ASSY, MOD II, SHROUDED, 4 SIDES, DBL ROW, .100 X.100 C/L RIGHT ANGLE, W/.025 SQ POSTS |
| MATERIAL: HOUSING: FLAME RETARDANT THERMOPLASTIC; COIL-ON-REEL; CONTACTS: PHOS BRONZE | FINISH: SEE TABLE                      | SIZE: A1                 | RESTRICTED TO   |
|   |  | WEIGHT: -                | 00779C=87579  |
|   |  | CUSTOMER DRAWING         | SCALE: 4:1 SHEET 1 OF 1 REV: R2   |